

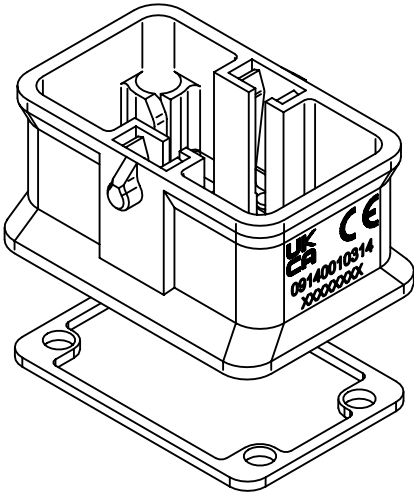
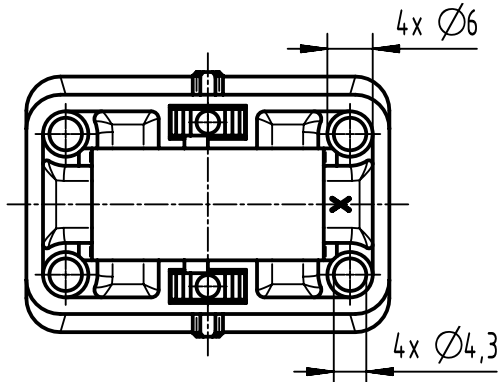
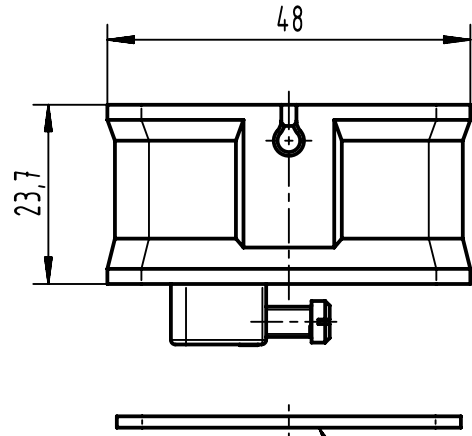
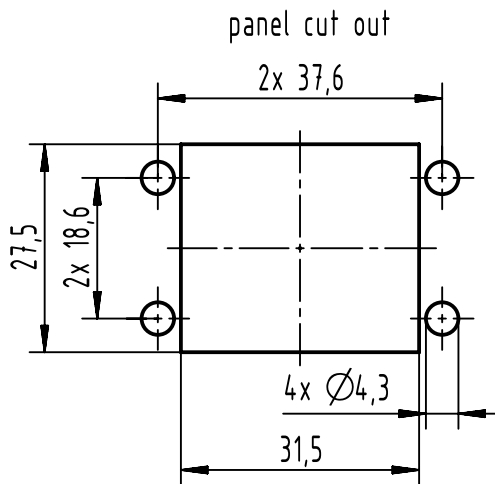
1 2 3 4 5 6


A

B

C

D



	All rights reserved Department EL PD	All Dimensions in mm Original Size DIN A4		Scale 1:1	Free size tol.	Ref. Sub.
		Created by BALSAN	Inspected by 402602	Standardisation SAP_WFRT	Date 2022-10-24	State Final Release
HARTING D-32339 Espelkamp		Title Han 1Mod-agg-F M4			Doc-Key / ECM-Nr. 100650639/UGD/003/C 500000219560	
		Type TB	Number 09 14 001 0314		Rev. C	Page 1/1